



Mallory Sonalert Products, Inc.

Part #: **JT120-RG-CD**

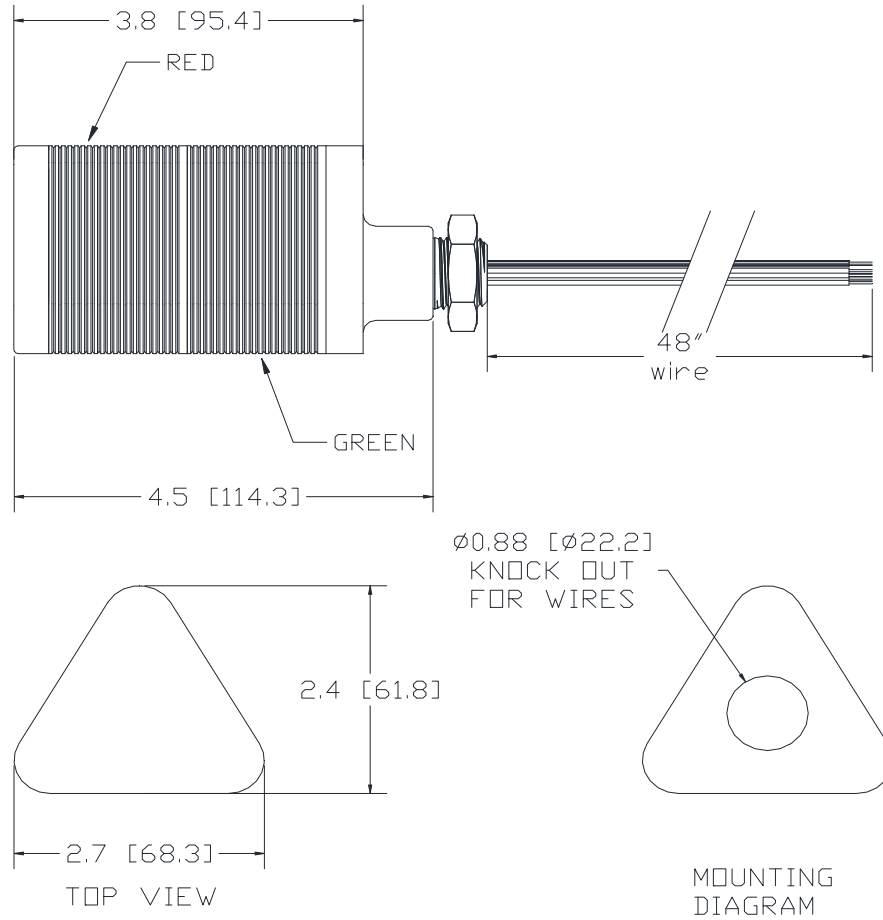
Sales Outline Drawing

Revision: **B**

Specifications:

Stack Number:	1	2			
LED Color:	RED	GREEN			
Connection Wires:	Red and Brown	Green and Brown			
LED Current Draw:	<210mA	<190mA			
Rated Voltage:	120 VAC				
Operating Voltage:	90-120 VAC				
Total Max Current:	<400 mA				
Operating Temperature:	-25° ~ +60°C				
Lens Color:	Opaque White				
Material:	ABS FR15U				
Mounting Method:	Direct Mount using 1/2" NPT Stainless Steel Pipe and Nut				
Weight Typical (g):	210				
NEMA 12:	Approved				
Options:	Please contact factory.				

Dimensions: Inches (mm) **cUL Recognized** **ROHS Compliant**



LED OPERATION: CONNECT STACK COLOR WIRE TO POWER AND BROWN WIRE TO POWER.