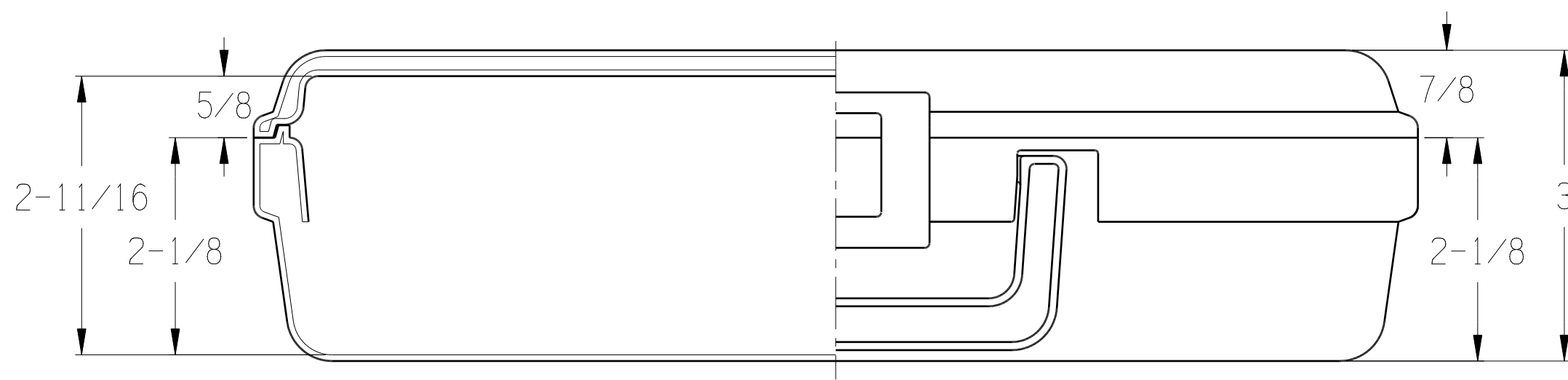
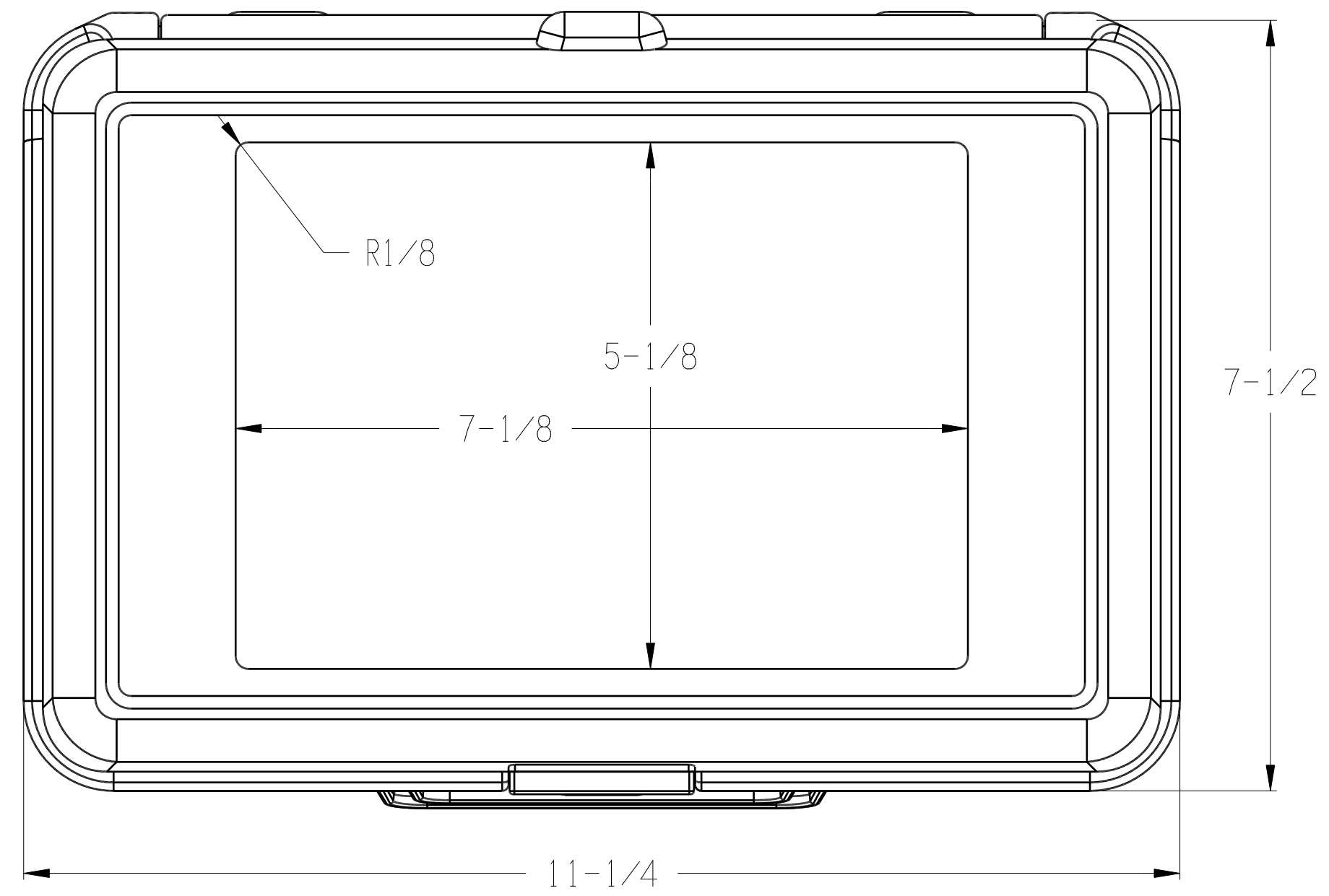


REV		DATE	APPROVED
-----	--	------	----------



NOTE:  
SECTIONS ARE REPRESENTATIVE OF  
NOMINAL DIMENSIONS AND SHOULD  
NOT BE USED FOR DESIGN PURPOSES.

THIS DOCUMENT IS THE PROPERTY OF THE PLASTIC FORMING CO., INC.  
AND THE INFORMATION CONTAINED HEREIN IS CONSIDERED CONFIDENTIAL.  
THIS DOCUMENT IS NOT TO BE USED, REPRODUCED, OR DISCLOSED IN WHOLE  
OR IN PART WITHOUT THE WRITTEN PERMISSION OF THE PLASTIC FORMING CO., INC.

TOLERANCES U.O.S.		SYM		DESCRIPTION		MATL		REQ	
FRACTIONS:	±1/16			PFC® THE PLASTIC FORMING CO.					
X:	±.025			20 SO. BRADLEY RD.				Copyright ©	
XX:	±.020			WOODBRIDGE, CONN. 06525				Rights Reserved	
XXX:	±.015			TITLE:					
				11-1/4 X 7-1/2 X 3"					
				SparkFun Electronics					
				W-Custom Label Recess					
W.O. NO.		SCALE: Full		DATE: 06/20/2017		REV:			
DRAWN: AGA		Ckd: PMP		PRI:		113-075-030-514		SHEET: 1 of 1	