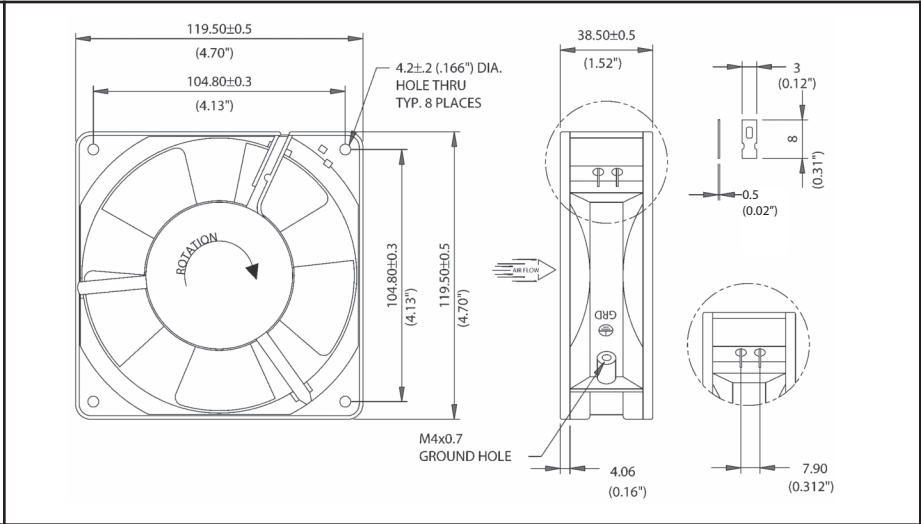


OA109 (AIOS)



AC Fan - 115V, 230V, Reverse Airflow
120x38mm (4.7"x 1.5")



| | | | |
|------------------------------|--|--|--|
| Frame | Diecast Aluminum | <u>Operating Temperature</u> Ball Bearing -20C ~ +80C Sleeve Bearing -10C ~ +50C Storage Temp -40C ~ +80C <u>Life Expectancy</u> Ball Bearing 60,000 hours (L10 at 40C) Sleeve Bearing 30,000 hours (L10 at 40C) AIOS Air Input Over Struts Weight: ~1.2 lbs. m2 | |
| Impeller | PBT, UL94V-0 plastic | | |
| Connection | 2x 300mm Lead wires (22AWG) or terminals | | |
| Motor | AC shaded pole, impedance protected | | |
| Bearing System | Dual ball or Sleeve | | |
| Insulation Resistance | >100M ohm between lead-wire and frame (500VDC) | | |
| Dielectric Strength | 1 min at 1500 VAC, 50/60Hz | | |

| Model Number | Speed (RPM) | Airflow (CFM) | Noise (dB) | Volts AC | Voltage Range | Watts | Max. Static Pressure ("H ₂ O) |
|------------------|-------------|---------------|------------|----------|---------------|-------|--|
| OA109AP-11-1 * R | 3100 | 99 | 47 | 115 | 80~130 | 15 | .33 |
| OA109AP-11-2 * R | 2750 | 85 | 45 | 115 | 80~130 | 13 | .25 |
| OA109AP-11-3 * R | 2300 | 75 | 38 | 115 | 80~130 | 12 | .16 |
| OA109AP-22-1 * R | 3100 | 99 | 47 | 230 | 160~260 | 15 | .33 |
| OA109AP-22-2 * R | 2750 | 85 | 45 | 230 | 160~260 | 13 | .25 |
| OA109AP-22-3 * R | 2300 | 75 | 38 | 230 | 160~260 | 12 | .16 |

* Indicate "TB" (Terminal Ball Bearing), "WB" (12" Wire Leads, Ball Bearing), "TS" (Terminal, Sleeve Bearing), "WS" (12" Wire Leads, Sleeve Bearing)