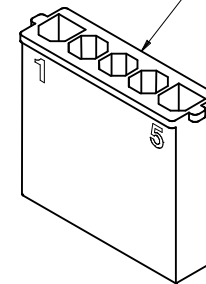


ITEM NUMBER	MATERIAL	COLOR
43680-2005	NYLON 66, UL94V-0	BLACK
43680-1005	NYLON PA66, UL94V-2	NATURAL (TRANSLUCENT)
43680-3005	NYLON, UL94V-2, IEC 60335-1 GLOW-WIRE CAPABLE	BLACK

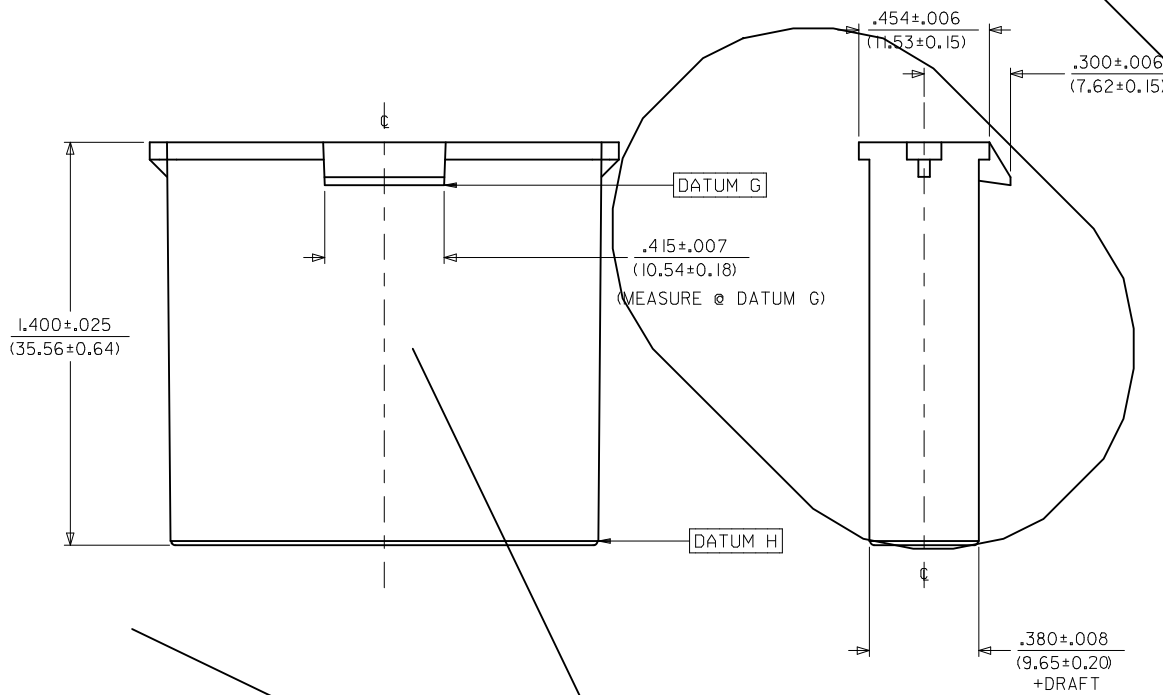
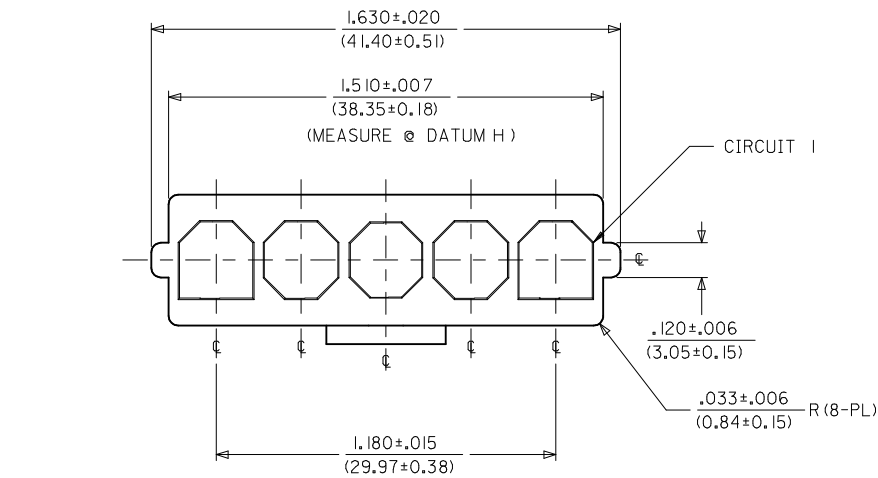
NOTE:

1. MATERIAL: SEE CHART.
2. FINISH: NONE.
3. PRODUCT SPECIFICATION: PS-44441-9999.
4. PACKAGING: PK-43680-001.
5. THIS CONNECTOR HOUSING FOR USE WITH 43178-**** TERMINALS.
6. THIS CONNECTOR HOUSING WILL MATE TO 43335-***5, 43179-***5 AND 44441-***5 HOUSINGS.
7. PARTS CONFORM TO CLASS B REQUIREMENTS OF COSMETIC SPEC PS-45499-002.
- SOME PARTS MAY HAVE A BLEMISH NEAR THE GATE THAT DOES NOT AFFECT FUNCTIONALITY.

LOCKING NUB IS LOCATED HERE



43680-*005
(NO SCALE)

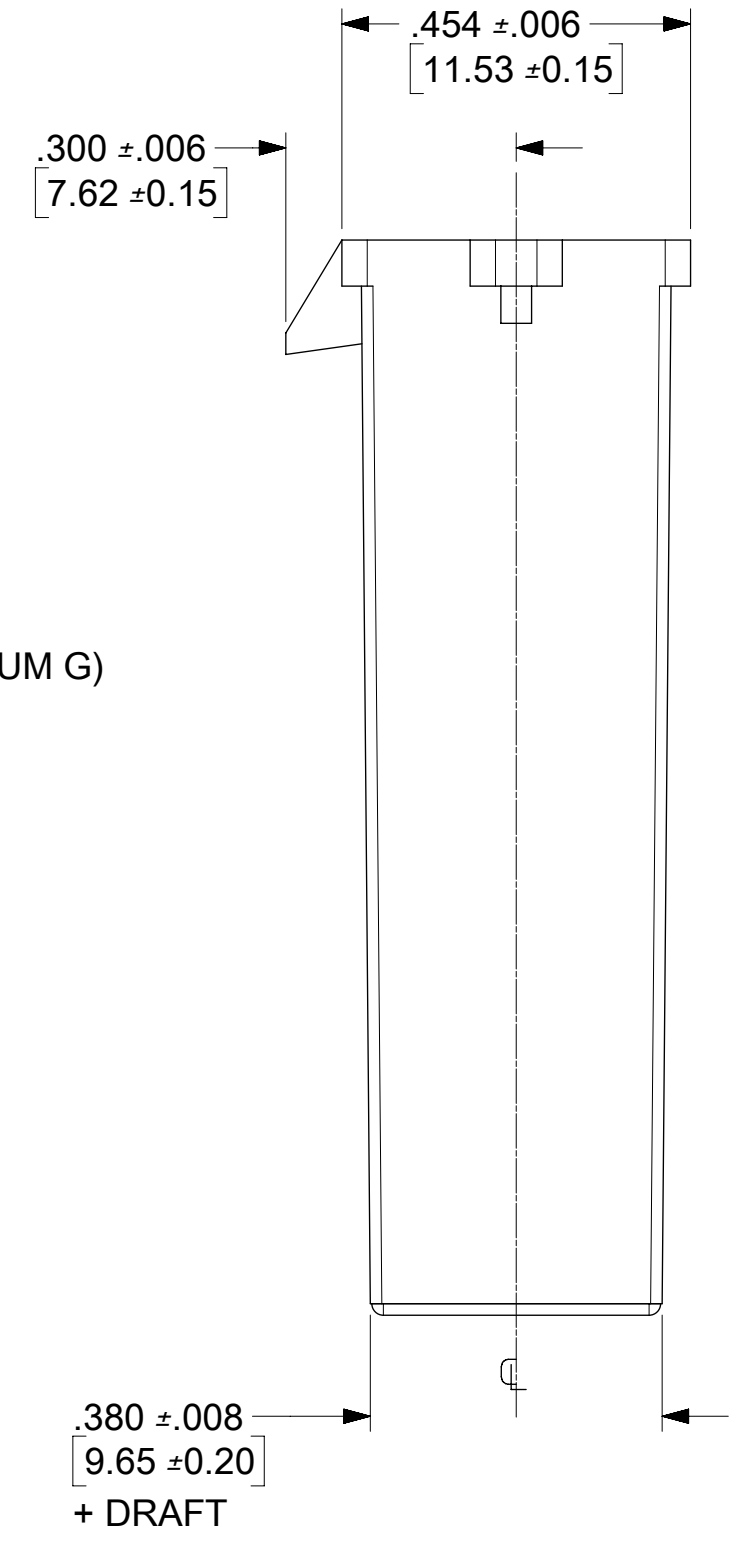
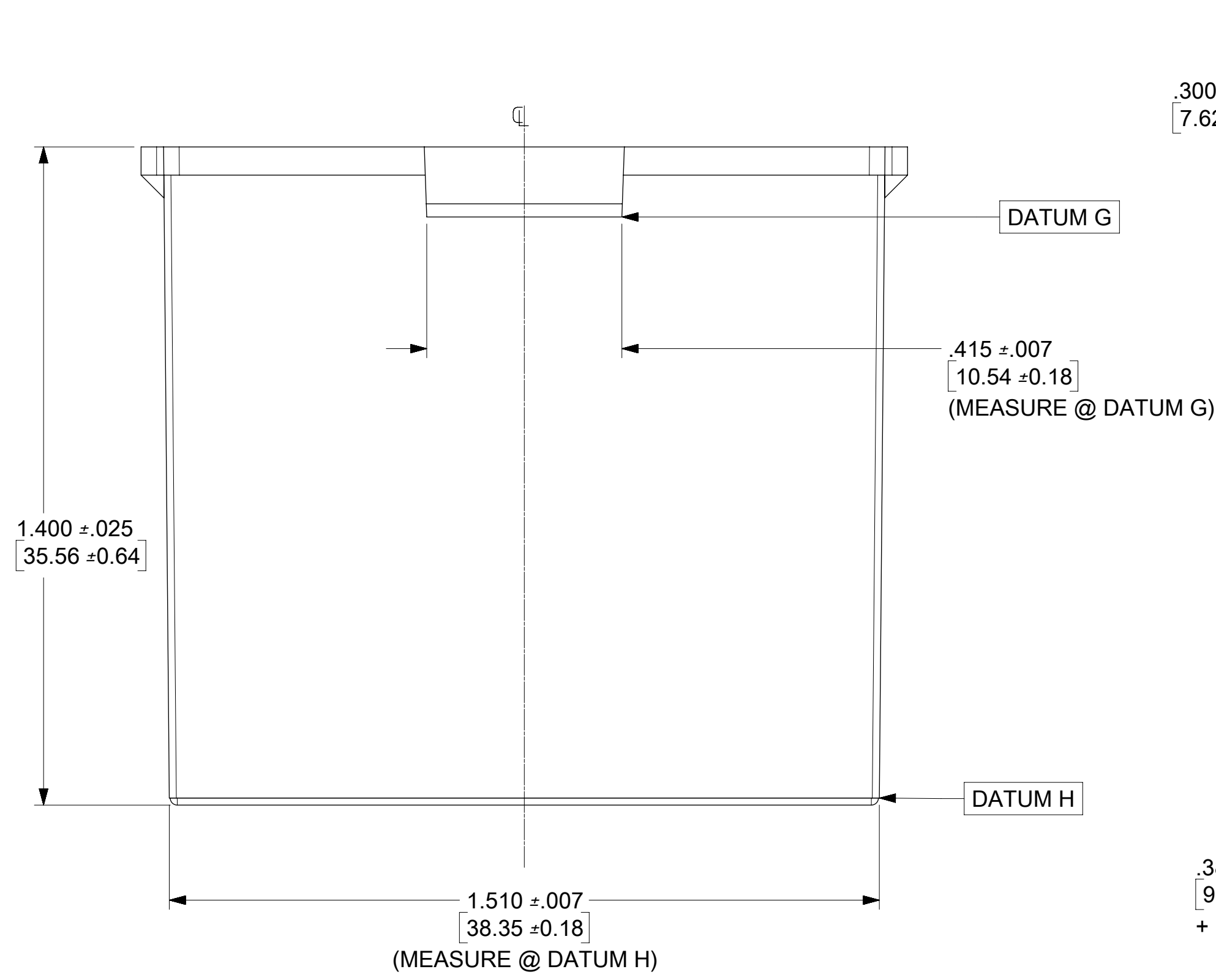
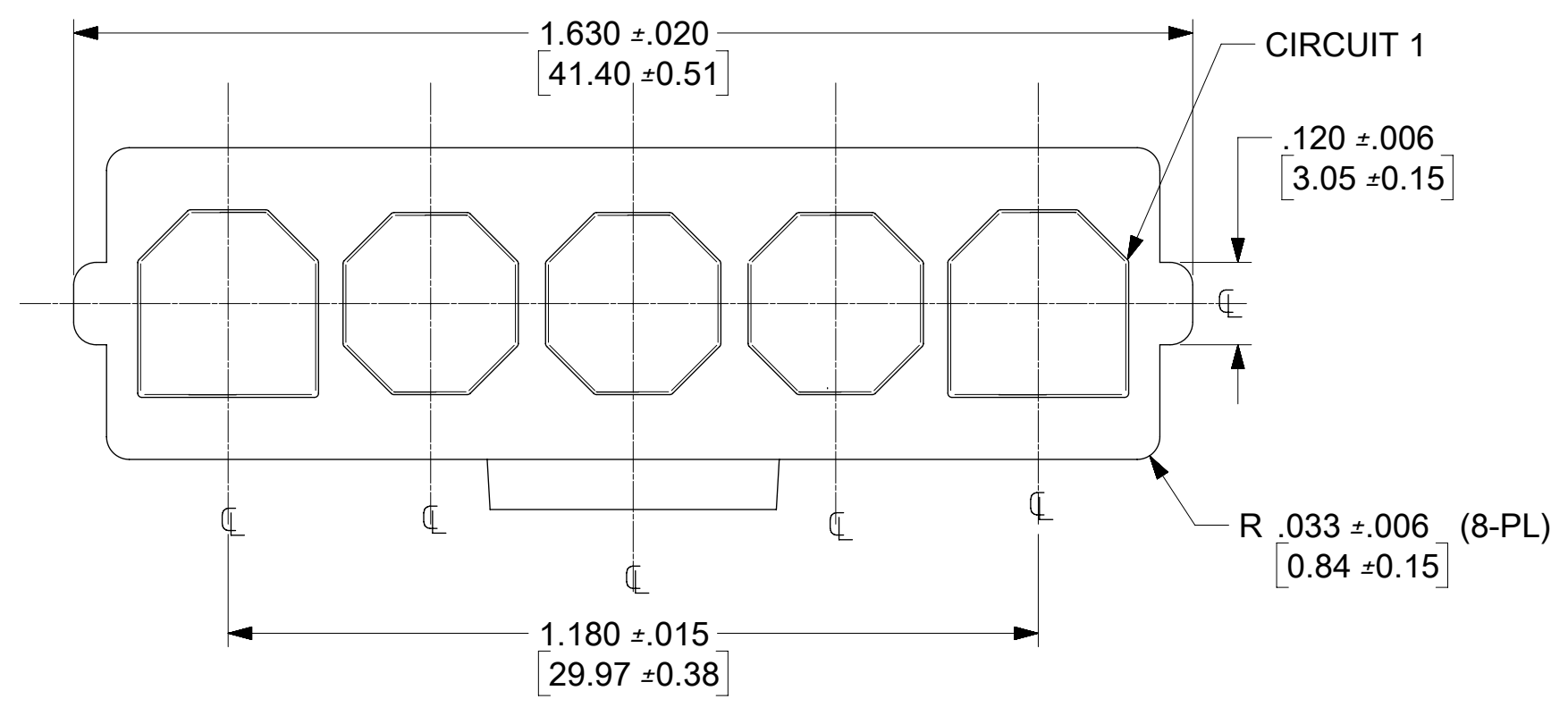


VOID EC NO: UCP2017-0974 DRWING: BANDURA 2016/10/31 CHKD: APPR: BP1/SZCZOR 2016/11/03 REV:	QUALITY SYMBOLS	GENERAL TOLERANCES (UNLESS SPECIFIED)	DIMENSION STYLE IN/MM	SCALE 4:1	DESIGN UNITS INCH	THIRD ANGLE PROJECTION
	▽=0	4 PLACES ± --- ± ---	DRAWN BY DATE AELHAG 2010/09/20	TITLE 5-CIR. PLUG HOUSING .125/(3.18)X.020/(0.51) SABRE - TPA molex		
	▽=0	3 PLACES ± --- ±.010	CHECKED BY DATE JBELL 2013/12/18			
	▽=0	2 PLACES ±0.25 ±.014	APPROVED BY DATE FSMITH 2014/03/31	MATERIAL NO. SEE CHART	DOCUMENT NO. SD-43680-*005	SHEET NO. 1 OF 1
▽=0	1 PLACE ±0.35 ± ---	0 PLACE ± --- ± ---	DRAFT WHERE APPLICABLE MUST REMAIN WITHIN DIMENSIONS THIS DRAWING CONTAINS INFORMATION THAT IS PROPRIETARY TO MOLEX INCORPORATED AND SHOULD NOT BE USED WITHOUT WRITTEN PERMISSION			

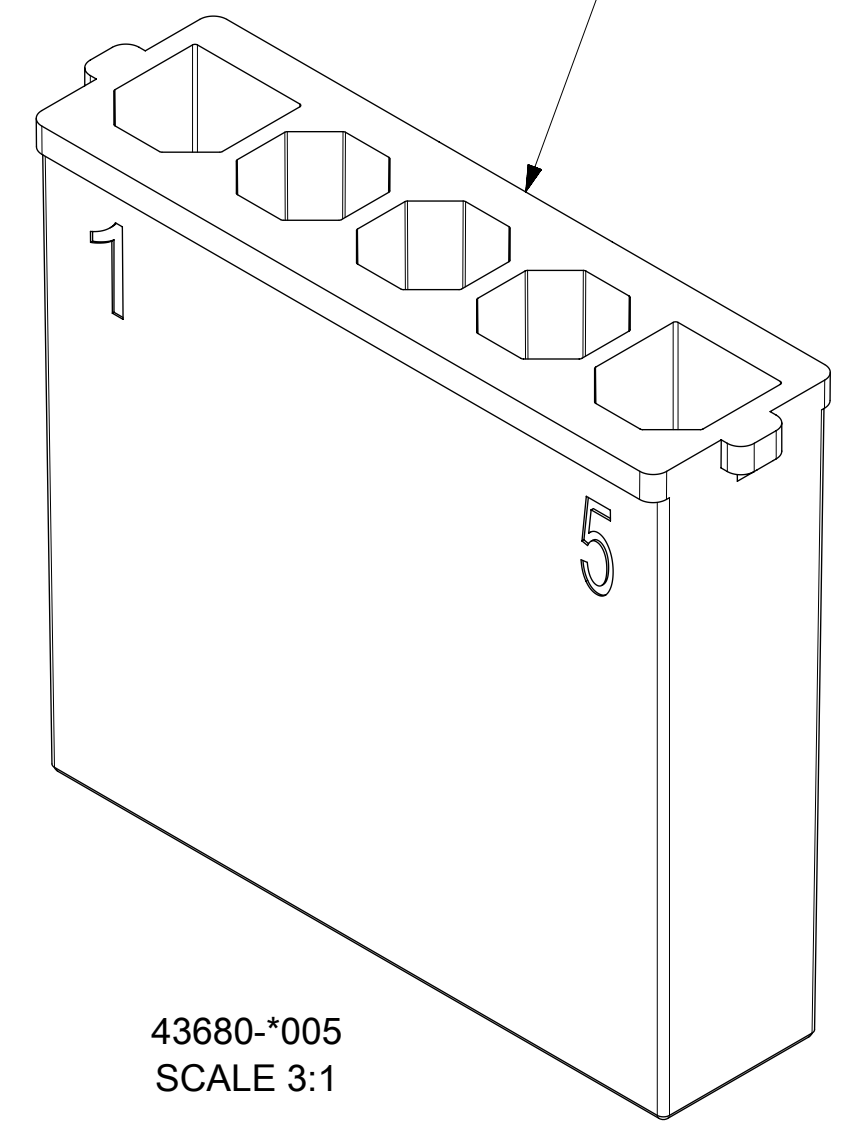
ITEM NUMBER	MATERIAL	COLOR
43680-2005	NYLON 66, UL94V-0	BLACK
43680-1005	NYLON PA66, UL94V-2	NATURAL (TRANSLUCENT)
43680-3005	NYLON, UL94V-2, IEC 60335-1 GLOW-WIRE CAPABLE	BLACK

NOTE:

1. MATERIAL: SEE CHART.
2. FINISH: NONE.
3. PRODUCT SPECIFICATION: PS-44441-9999.
4. PACKAGING: PK-43680-001.
5. THIS CONNECTOR HOUSING FOR USE WITH 43178-**** TERMINALS.
6. THIS CONNECTOR HOUSING WILL MATE TO 43335-***5, 43179-***5 AND 44441-***5 HOUSINGS.
7. PARTS CONFORM TO CLASS B REQUIREMENTS OF COSMETIC SPEC PS-45499-002. - SOME PARTS MAY HAVE A BLEMISH NEAR THE GATE THAT DOES NOT AFFECT FUNCTIONALITY.



LOCKING NUB IS LOCATED HERE



THIS DRAWING CONTAINS INFORMATION THAT IS PROPRIETARY TO MOLEX ELECTRONIC TECHNOLOGIES, LLC AND SHOULD NOT BE USED WITHOUT WRITTEN PERMISSION											
RE-MASTERED IN ELECTRICAL EC NO: 111498 DRWN: RMV02 CHKD: BPISSZCZOR REV APPR: 2016/04/19	GENERAL TOLERANCES (UNLESS SPECIFIED)		DIMENSION UNITS	SCALE	molex						
	ANGULAR TOL $\pm 0.5^\circ$		HYBRID	4:1							
	4 PLACES	\pm	DRWN BY	DATE	5-CIR. PLUG HOUSING .125/[3.18]X.020/[0.51] SABRE - TPA						
	3 PLACES	± 0.01	AELHAG	2010/09/20							
	2 PLACES	± 0.014	CHKD BY	DATE	PRODUCT CUSTOMER DRAWING						
1 PLACE	\pm	JBELL	2013/12/18								
0 PLACES	\pm	APPR BY	DATE	SERIES		MATERIAL NUMBER		CUSTOMER			
DRAFT WHERE APPLICABLE MUST REMAIN WITHIN DIMENSIONS		DRAWING SIZE	THIRD ANGLE PROJECTION	C	43680	SEE CHART	GENERAL MARKET				
A	DOCUMENT NUMBER		DOC TYPE		DOC PART	SHEET NUMBER					
	436800005		PSD		000	1 OF 1					